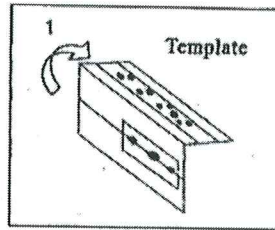
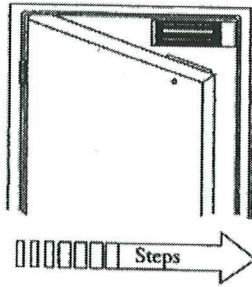


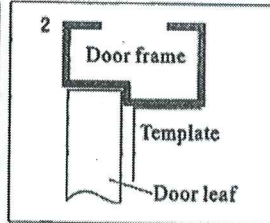
Troubleshooting for Electric Lock

Problem	Procedure	Solution
The Lock doesn't function after the power is plugged in.	Check the input of the power supply, whether it's follows the demand (12V, 1A or above)	Change the power/voltage for special use.
	Check the connecter and the magnet whether it's in a proper/secure position.	Change the high quality wire and make sure length is 10m.
The bolt keeps jumping after the power is plugged in.	Check the input of the power, whether it's accord to the demand (12V, 1A or above)	Change the power/voltage for special use.
		Change the high quality wire and make sure length is 10m.
after the installation the release button won't work with the electric lock.	Check with the model of release button that's been used, whether it's a NO or NC type.	
The movement of the bolt is abnormal.	Check power connection/indication.	Change the power/voltage for special use.
	Check on the movement of the bolt or inspect for any loose parts including the bolts.	Change the high quality wire and make sure length is 10m.
The bolt cannot open when electric lock is installed, which raises the temperature.	Lift up the extending board in order to make the bolt move smoothly.	

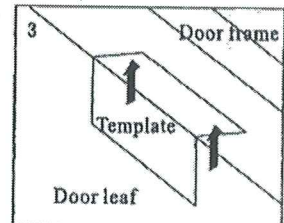
Installation of Magnetic Lock



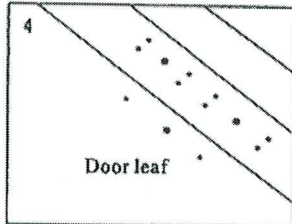
1 Fold the template to 90°



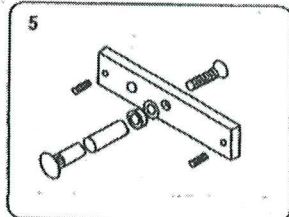
2 Close the door, place the template on door frame, close to door leaf.



3 Mark screw positions on door leaf and door frame.



4 Drill holes on the marked positions

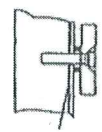
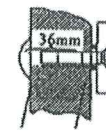
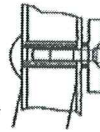


5 Install the Armature Plate on door leaf

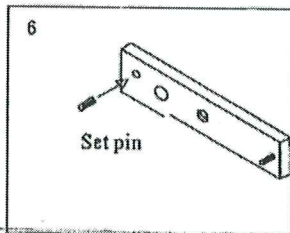
Hollow Metal Door

Wooden Door

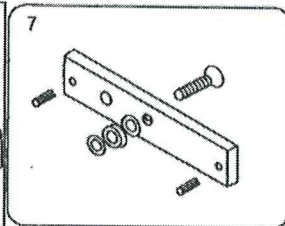
Metal Surface Door



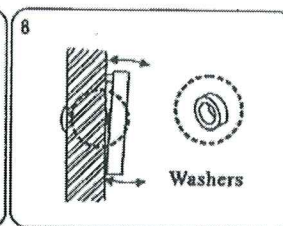
Follow the instructions come with the lock



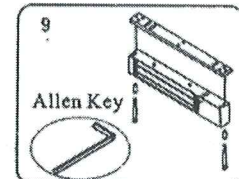
6 Put the pin into the Armature



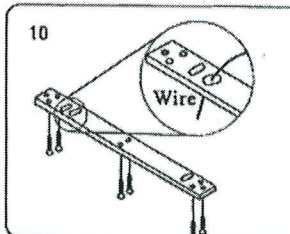
7 according to the picture add the washers on the Armature.



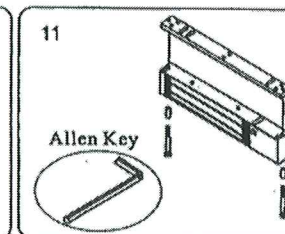
8 Place Washers between Armature Plate and Door Leaf



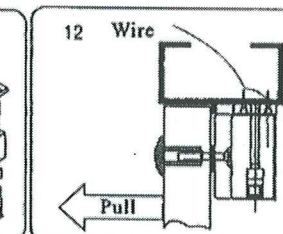
9 Use Allen Key to remove the Mounting Plate from lock body



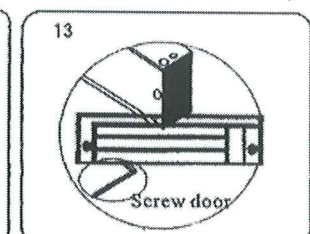
10 Wire go through the wire hole, then screw the mounting plate on top of the door frame



11 Use Allen Key to screw the lock body on the mounting plate



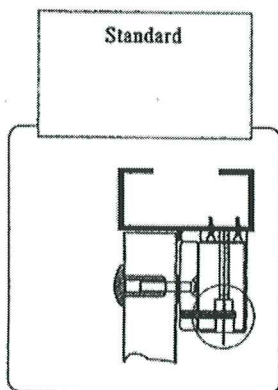
12 Close and pull the door to test holding force, Extra washers can be added to adjust angle between door leaf and Armature plate.



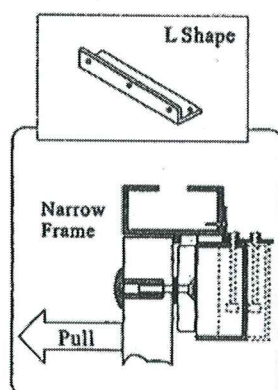
13 Confirm the holding force and tighten the proof screws.

Installation of Brackets

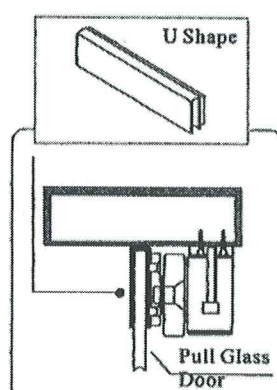
Different Brackets can be use on different type and swing direction of door leaf.



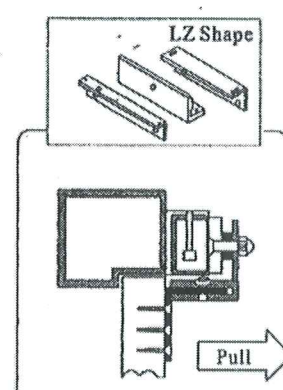
(No Bracket)



Narrow door frame(Swing Out)



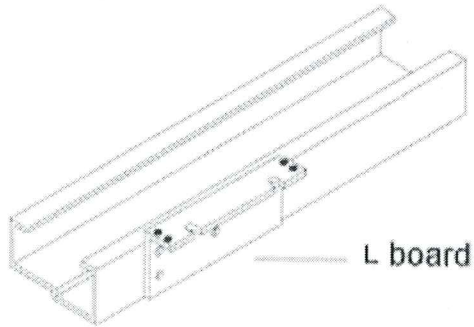
Pull Glass Door Leaf(Swing Out)



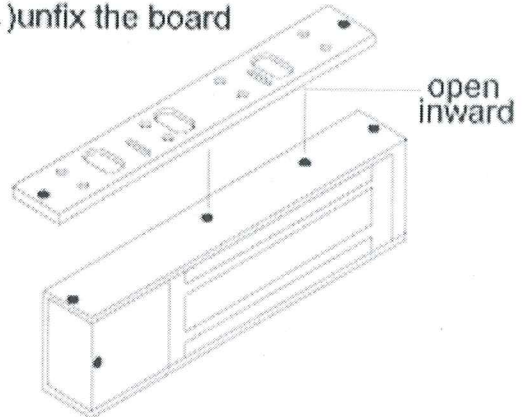
Swing In Installation

Instruction of the installation

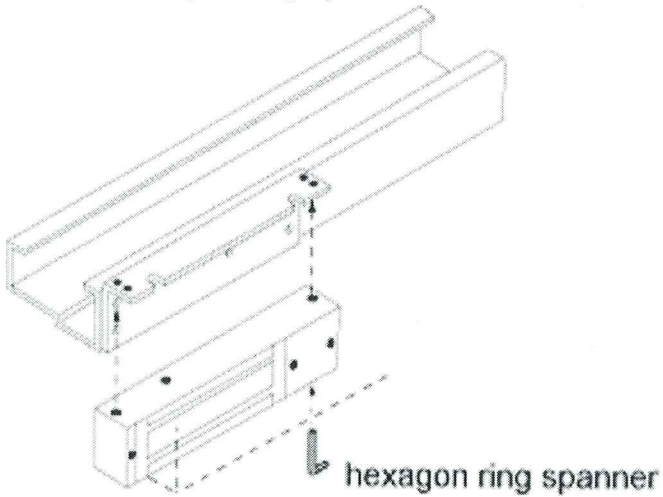
(一) fix the board on the frame



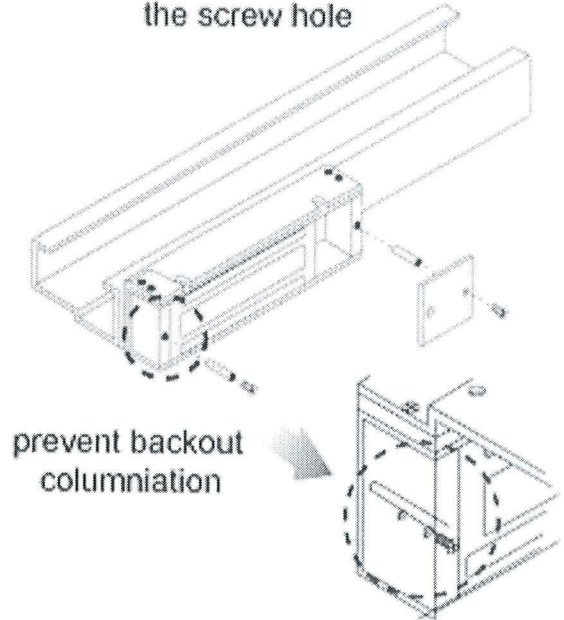
(二) unfix the board



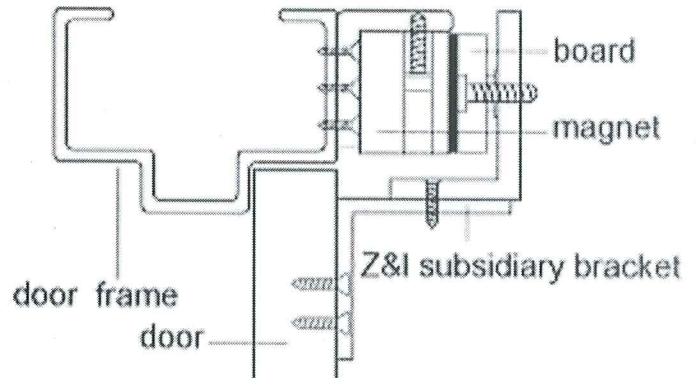
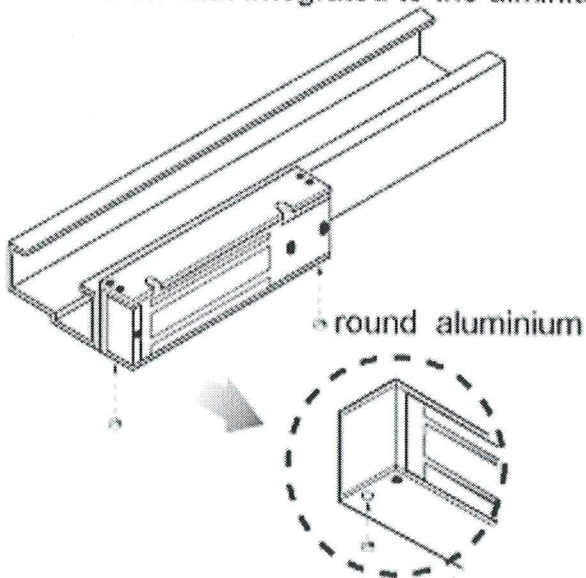
(三) fix the lock on the "L" lock with hexagon ring spanner



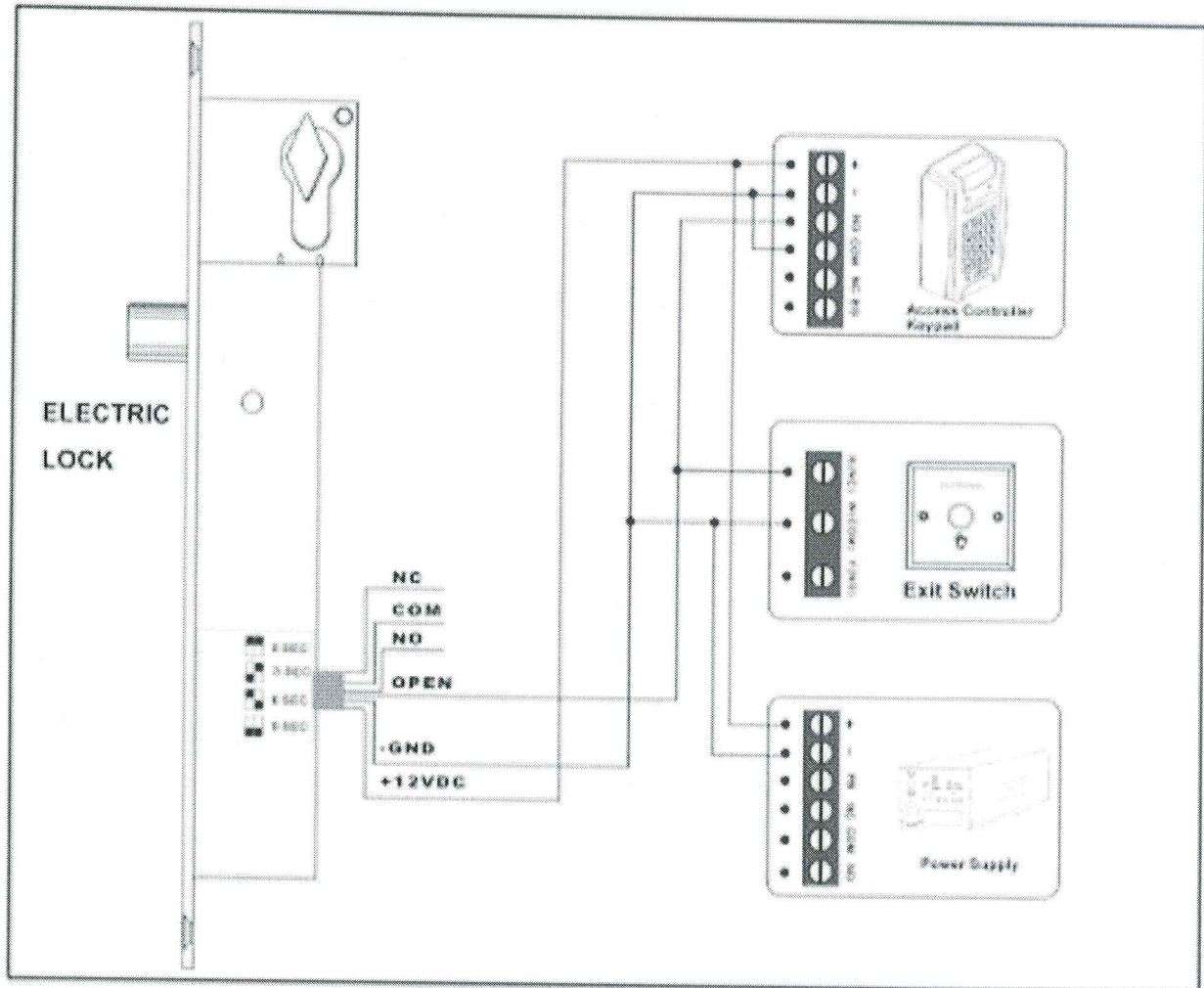
(四) insert the anti-separate pillar to the screw hole



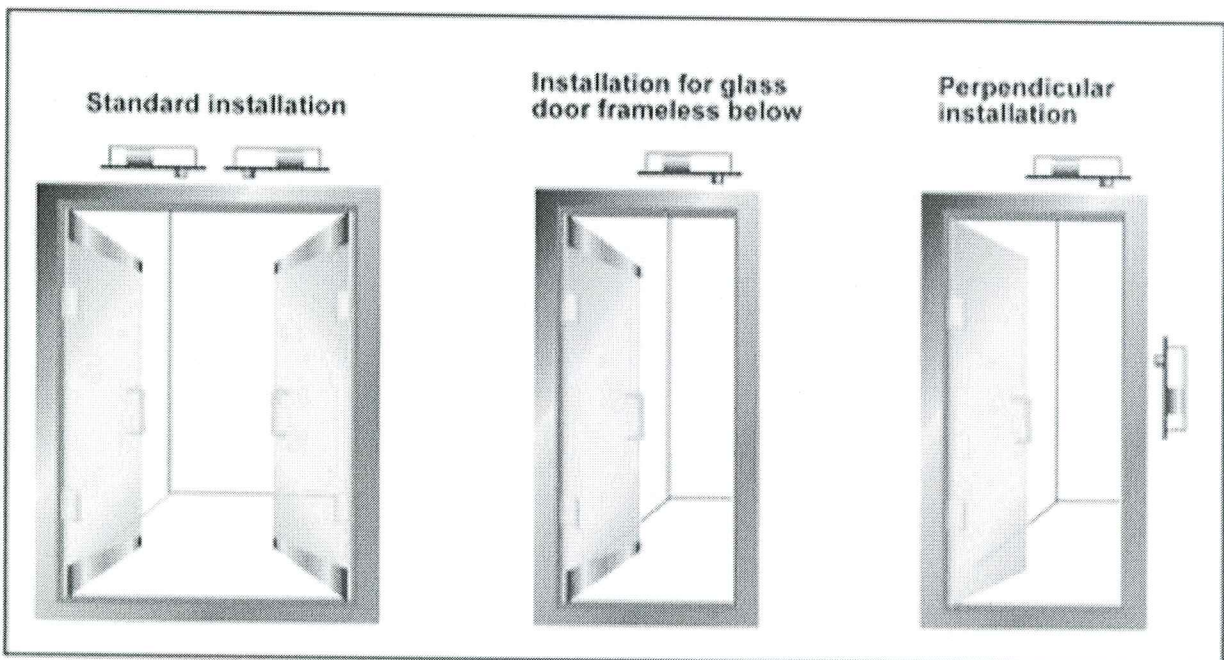
(五) insert the round aluminium piece to the fixed screw with integrated to the aluminium plate



WIRING DIAGRAM

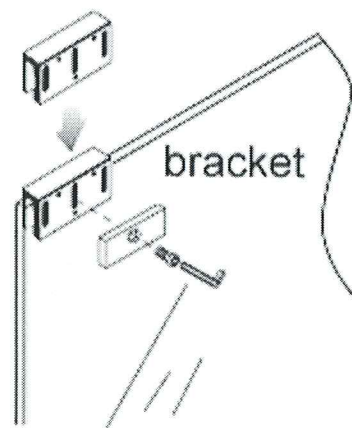


INSTALL STYLE DIAGRAM

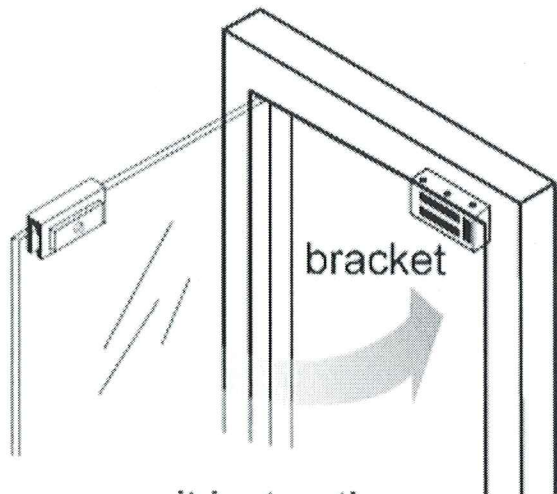
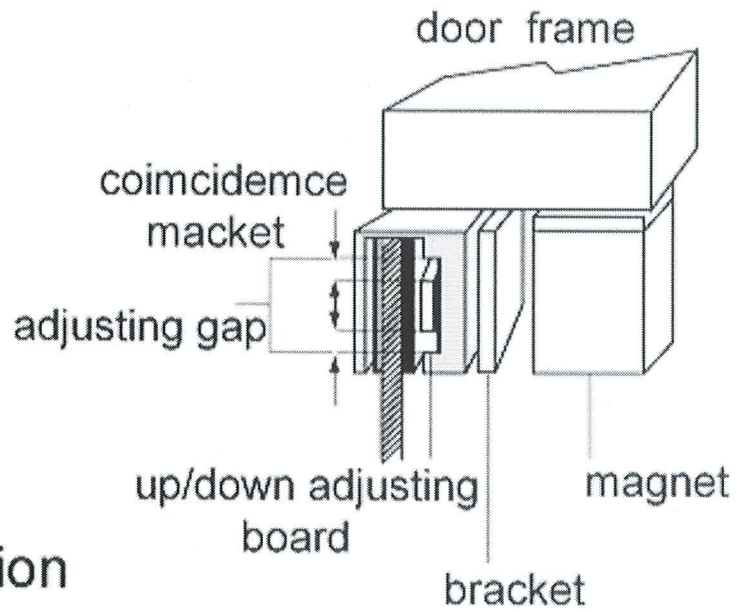


Installation fitting for electromagnetic lock support

electromagnet lock



illustrated instruction



result instruction

